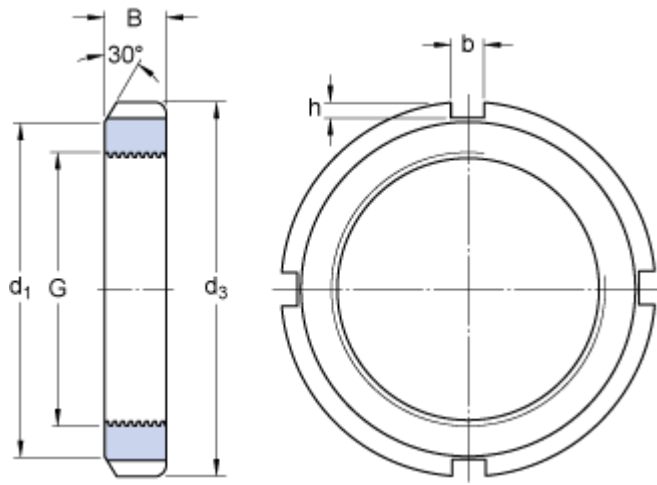


HM 44 T

Dimensions



G	Tr 220x4	
d ₃	280	mm
B	32	mm
d ₁	250	mm
b	20	mm
h	10	mm

Mass

Mass lock nut	4.75	kg
---------------	------	----

Mounting information

Appropriate spanner	TMFN 40-52
---------------------	------------

Appropriate products

Lock washer	MB 44
-------------	-------